



IT Strategic Planning Update

June 2, 2016

Chris Krabel, Interim CIO

Joe Sventek, Professor of Computer and Information Science

Quarterly IT Strategic Updates

- Based on the March 4, 2016 presentation to the Board
- Updates will cross-reference topics to that March presentation (“See March Presentation Page X”)

IT Overview and Planning

- Engagement with IS Team and UO Campus
 - *Introductory meetings around campus*
- Daily IS Operational Objectives
 - *Daily campus support and ongoing projects (See Appendix A)*
- Established Initial Strategic Objectives
 - *Developed project initiation plans for each strategic objective, which includes defining a scope of work, identifying critical project resources and determining high-level timelines*
 - *Balanced workload, staffing and priorities*
- Engagement, Planning and Scheduling with Harvey Blustain (consultant)

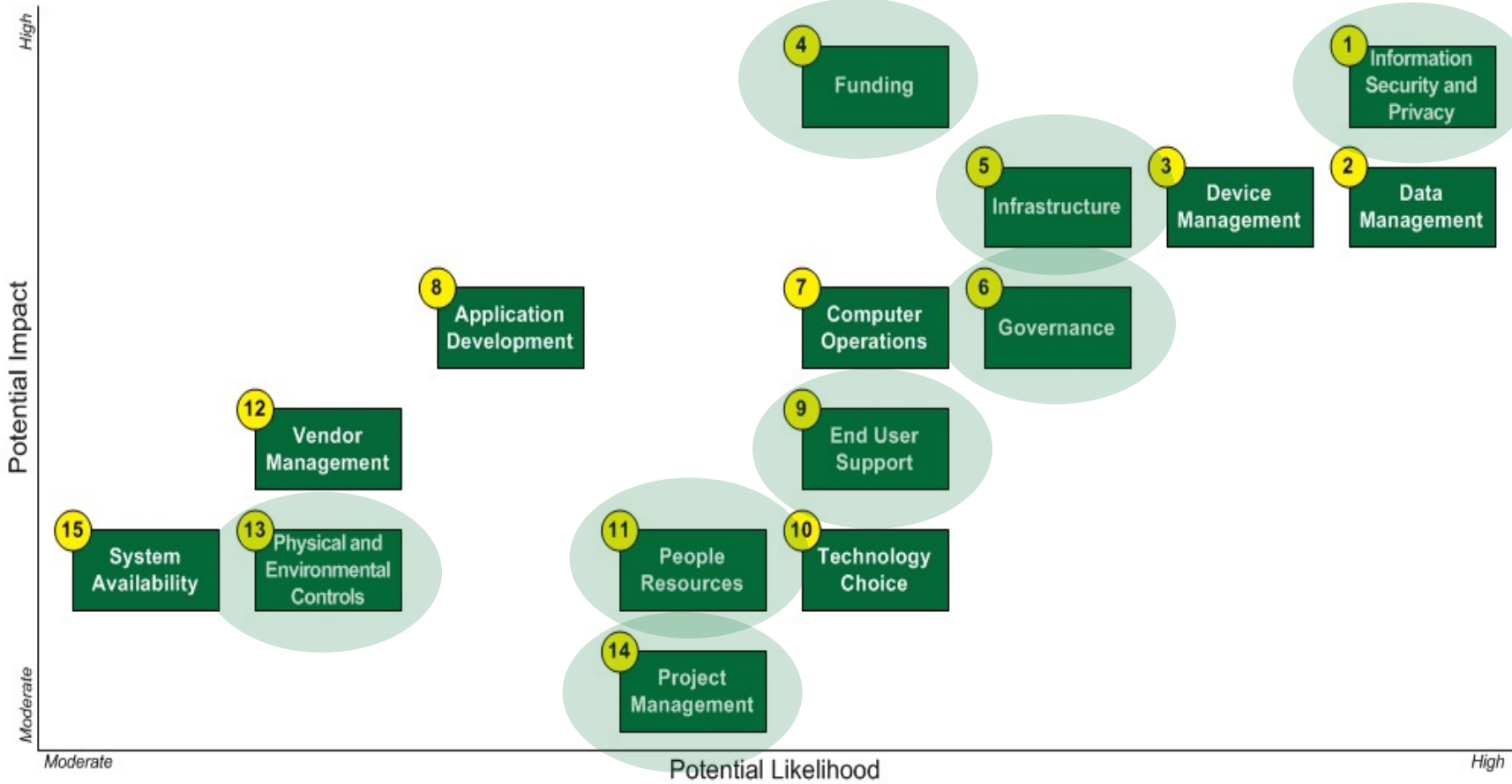
See March Presentation Page 12

Information Technology Vision

- Collaborative Across Campus Constituencies
 - *People and resources: portfolio of projects*
 - *Portland*
 - *Residence Halls*
 - *Student Life*
 - *Registrar*
- Consistent & Strong Executive Support
 - *Helps ensure IT strategic plan is supported*
 - *Weekly executive IT meetings and strategic discussions*
 - *IS staffing*
 - *Funding*
 - *Security*
 - *Governance*
 - *Project status*

See March Presentation Page 9

Recall: Baker Tilly Assessment Map



See March Presentation Page 5

Five Areas of Focus: Key Points

- Security (Baker Tilly Report #1)
 - *Some policies adopted, more in the pipeline*
 - *Strategic investments purchased*
- Infrastructure (Baker Tilly Report #5)
 - *UO network structure and core development*
- Governance (Baker Tilly Report #6)
 - *Two key committees formed and launched*
- Physical and Environmental Controls (Baker Tilly Report #13)
 - *Allen Hall – opened in April*
 - *HPC – vendor selection*
- Project Management (Baker Tilly Report #14)
 - *Certified Project Manager Information Systems (work flow project)*

See March Presentation Page 5

IT Risks: Action Taken

- Information Security and Privacy
 - *Three policies approved*
 - *Data Security Response*
 - *Information Security Program*
 - *Data Classification*
 - *Two policies drafted / in process*
 - *Acceptable Use*
 - *Security Awareness*

See March Presentation Page 5

IT Risks: Action Taken

- Funding
 - *Funded two additional Central IS application development positions and a security analyst*
 - *Funded Allen Hall and a work flow investment project*

| Investment | Cost | Update |
|--|-------------|---|
| Network core switches | \$2,000,000 | Joe Sventek initial evaluation completed |
| Infrastructure – Email, Data Center consolidation, other needs | \$587,000 | Pending network evaluation, Data Center/Allen Hall in process |
| 2-factor authentication | \$80,000 | Alternate procurement in process |
| Training Program - Security | \$17,000 | June procurement, Implement October |
| SIEM (\$250,000) | \$50,000 | Install May, completion June |
| Work Flow | \$548,000 | Contract modification and project team in process |
| IT Service Management (ISTM) | \$75,000 | Product evaluation on-going |
| Content Delivery Network | \$10,000 | TBD |
| Web Service and Data Integration | \$15,000 | TBD |
| Banner Assessment | \$75,000 | TBD |

See March Presentation Pages 5, 26

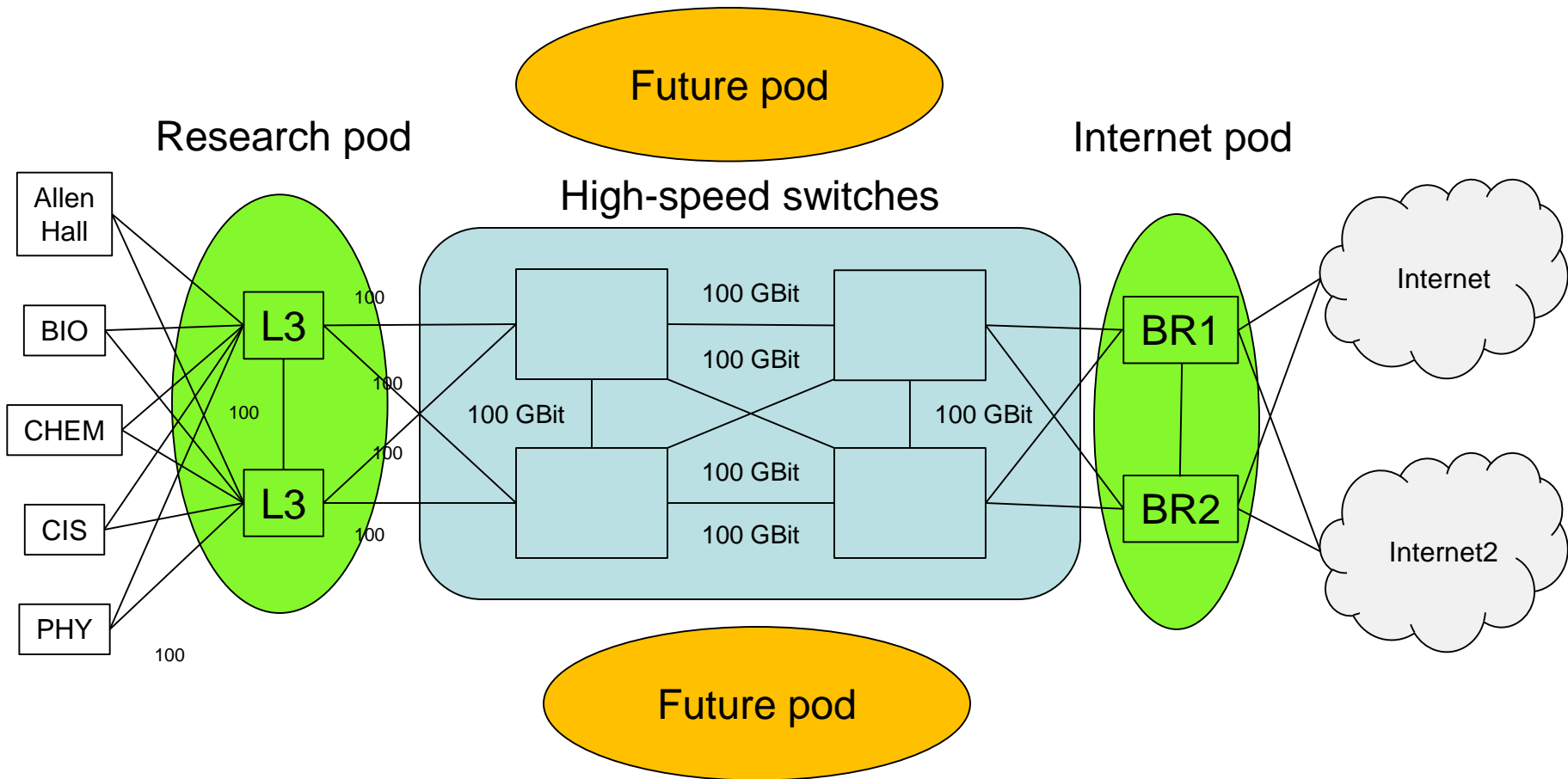
IT Risks: Action Taken

- Governance
 - IT Governance Committee
 - *Membership identified*
 - *Developing the committee charter*
 - IT Directors Committee
 - *Current action items: charter, survey, software*
 - *Includes an executive committee of 5 unit reps for efficiency*

See March Presentation Page 13

IT Risks: Infrastructure

(extensible high-speed networking architecture)



See March Presentation Page 26

IT Risks: Infrastructure

Estimated Timeline

| Task | Start date | End date |
|-------------------------------------|----------------|-------------------|
| Design completion | In progress | 15 June 2016 |
| Vendor meetings | 16 June 2016 | 17 June 2016 |
| Faculty meetings | In progress | TBD |
| Equipment ordering and delivery | 1 July 2016 | 30 September 2016 |
| Define core equipment location | 1 June 2016 | 15 June 2016 |
| Fiber installation | 1 July 2016 | 24 February 2017 |
| Core & research switch installation | 1 October 2016 | 3 April 2017 |

Leveraging Resources: Long-term Assessment*

- Campus Interviews
 - *63 individuals plus 17 focus groups (113 total people)*
 - *Academic Leadership Team (ALT), including deans*
- IT Activity Survey
 - *Assessing unit functions and work*
 - *Developed with IT directors and customized for the environment*
 - *Executed a survey across campus in May, under analysis*

*Harvey Blustain - Lead

See March Presentation Page 20

Leveraging Resources: Short-term Assessment

- Data Center Consolidation
 - *Two pilot servers moved into Allen Hall in April*
 - *Focusing on research areas and security*
 - *Adhering to data security compliance (NIST 800-171)*
 - *Facility opened June (Baker Tilly #13)*
- Enterprise Software
 - *Compiled academic and administrative software*
 - *Evaluating opportunities to streamline purchasing*
 - *Contracting, standardization and best practices*
- Email/ Calendar *pending infrastructure review*
- Help Desk Support
 - *Ticketing system, conducting product/vendor research*

See March Presentation Page 21

Campus Engagement

- Transparency
 - *Website updated to show the strategic plan / processes*
 - *Lots of face-to-face conversations and outreach*
- New Management & Central IS Team
 - *Participation on leadership groups, committees*
 - *Collaborative external participation (e.g. NWACC, NERO/OGIG)*

See March Presentation Page 28

High Performance Computing (HPC) – Vendor Selection

| Date | Commentary |
|---------------|--|
| 11 March 2016 | Received bids from six vendors: Cray, Dell, HP, IBM, Lenovo, SGI |
| 1 May 2016 | Eliminate IBM (needed software not available on POWER processor) and SGI (uncompetitive bid) |
| 12 May 2016 | Removed Lenovo from consideration (uncertain partnership opportunities) |
| 12 May 2016 | Solicit additional information from HP and Cray |
| 26 May 2016 | Make final decision among Cray, Dell, HP |
| 1 June 2016 | Place order for additional support for ACISS |
| 10 June 2016 | Complete statement of work and finalize contract obligations. |
| 10 Sept 2016 | Equipment delivered |
| 10 Oct 2016 | System configured, tested, and ready for use |

See March Presentation Page 28

High Performance Computing (HPC) – Governance & Personnel

| Date | Action |
|--------------|---|
| 12 May 2016 | Director position posted (http://jobs.uoregon.edu/unclassified.php?id=5527) |
| 26 May 2016 | Draft governance and business-model document available for task force comment |
| 9 June 2016 | Final governance and business-model document delivered to VPRI |
| 18 July 2016 | Estimated start date for Director |
| 29 Aug 2016 | Faculty Advisory Committee populated |
| 10 Oct 2016 | HPCF open for business |

See March Presentation Page 28

Looking Ahead: Next Quarter's Focus and Updates

- Report and recommendations from Harvey Consulting
- Progress update on Work Flow project
- Update on Allen Hall Data Center
- Timeline and update for general infrastructure plan
- CIO search update

Appendix A: Project Portfolio (Summary View)

| Project Title | Project Lead | Business Sponsor | Project Size | Status | Close Date |
|--|-----------------|---------------------|--------------|-----------|------------|
| Cacti to Zabbix Migration | James Lewis | ACIO Infrastructure | Medium | Started | 2/29/2016 |
| Library Digital Archive | Alex Harris | CIO/CAS | Large | Started | 6/17/2016 |
| Education Advisory Board - Student Success Collaborative | Noreen Hogan | Provost | Medium | Started | |
| Campus Workflow Implementation | Tony/Corrie | VPFA-VPRI-CIO | Huge | Started | |
| Central Kitchen and Woodshop | Andy Vaughan | Campus Ops | Large | Completed | 4/1/2016 |
| 1600 Milrace CASLS Move | Andy Vaughan | Campus Ops | Small | Completed | 12/22/2015 |
| Jane Sanders Softball Stadium | Andy Vaughan | Campus Ops | Medium | Completed | 4/1/2016 |
| Proofpoint Enhanced Security Demo | James Lewis | ACIO Infrastructure | Medium | Completed | 4/6/2016 |
| Active Directory Certification Authority | Leo Clark | ACIO Infrastructure | Small | Completed | 12/11/2015 |
| Wiki-Confluence Merger | Robert Bennett | CIO | Large | Completed | 5/4/2016 |
| Project Management Implementation | Tony Saxman | CIO | Large | Completed | 4/4/2016 |
| IDR Data Rollout | Tony Saxman | VPRI-VPFA-CIO | Huge | Completed | 11/6/2015 |
| Incident Management | Kelsey Lundsman | ACIO CE | Huge | Completed | 3/14/2016 |
| EMU Addition | Andy Vaughan | VPFA | Huge | Started | 5/2/2016 |
| Science Library Network | Andy Vaughan | VPRI | Large | Started | 7/1/2016 |
| Datacenter Onboarding Process Design | Bill Wiener | CIO | Small | Started | 6/1/2016 |
| Exchange 2013 | Jeff Jones | CIO | Huge | Started | |

Continued on next slide

Appendix A: Project Portfolio (Summary View, Cont.)

| Project Title | Project Lead | Business Sponsor | Project Size | Status | Close Date |
|---|-----------------|---------------------|--------------|------------------|------------|
| HR Talent Management System | Noreen Hogan | HR Dir | Large | Started | |
| IAM Duo Two Factor Authentication | Rob Chevalier | ACIO IDMS/EAA | Large | Started | |
| Duck ID Self Service Replacement | Rob Chevalier | CIO | Medium | Started | |
| Allen Hall Data Center Co-Location | Tony Saxman | VPFA | Large | Started | 6/10/2016 |
| Cisco ISE | Tony Saxman | ACIO Infrastructure | Large | Started | 10/30/2016 |
| SIEM Implementation | Will Laney | CISO | Large | Started | |
| ITSM Program Management | Kelsey Lundsman | CIO | Medium | Started | |
| Comcast Service Entrance | Eric Fullar | ACIO Infrastructure | Medium | Waiting Approval | |
| Phone Replace | Eric Fullar | CIO | Large | Waiting Approval | |
| Conference Room Technology Upgrade | Kristin Smith | CIO | Small | Started | |
| CC CRAC Unit Upgrades | Micah Sardell | ACIO Infrastructure | Medium | Started | |
| Network Closet Survey | Ron Mirable | ACIO Infrastructure | Large | Started | |
| IT Infrastructure | Steve Menken | CIO | Huge | Started | |
| Campus Guest Wireless | Steve Menken | CIO | Medium | Started | |
| SCCM | Will Laney | CISO | Huge | Started | |
| Off Campus Disaster Recovery | | CIO | Medium | Started | |
| Degree Audit | Noreen Hogan | ACIO IDMS/EAA | Large | Tabled | |
| Red Hat 7, & Puppet Systems Development | Tony Saxman | ACIO Infrastructure | Medium | Tabled | Tabled |

Continued on next slide